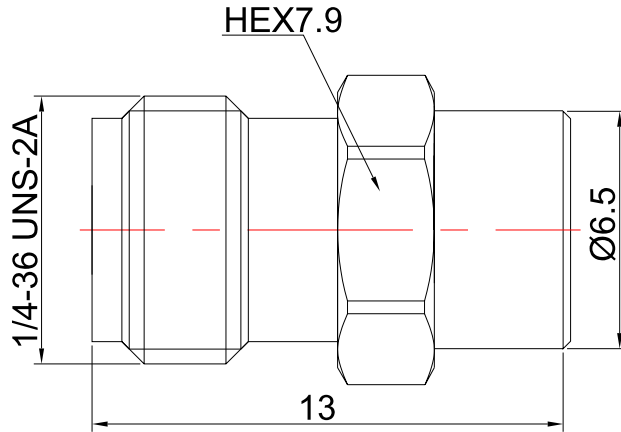


SMA Female RF Load Termination Up To 18 GHz, 1 Watts, Passivated Stainless Steel

P/N: FR3-SMA-K-03S



Dimensions are in mm

Product Configuration

Connector Series	SMA
Connector Polarity	Standard
Connector Gender	Female
Connector Impedance (Ohm)	50

Electrical Specifications

Frequency	DC-18GHz
VSWR	1.15
Power, Max Input (Watts)	1

Mechanical Data

Min. Mating Cycles	≥500
Weight	2.61 g
Body Material	Stainless Steel
Body Plating	Passivated
Cryogenic	No
Non-Magnetic	No

Environmental Specifications

RoHS Compliant	Yes
Operating Temperature Range	-55 °C to +125 °C
MIL/STD	N/A