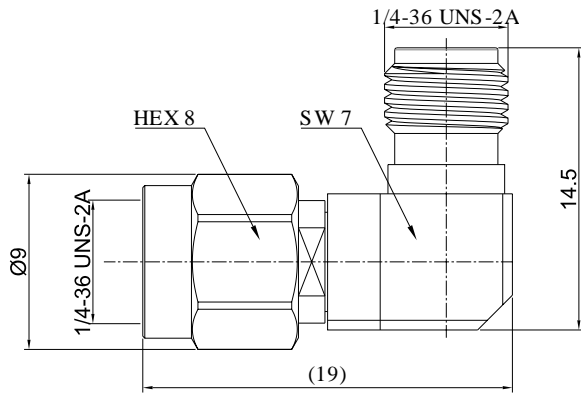


SMA Male to SMA Female Right Angle Adapter | DC-18GHz

P/N: FR1-SMA-JWKS-18G



Dimensions are in mm



Product Configuration

	Connector 1	Connector 2
Connector Series	SMA	SMA
Connector Polarity	Standard	Standard
Connector Gender	Male	Female
Connector Impedance (Ohm)	50	50
Body Style	Right Angle	Right Angle
Connector Body Material	Stainless Steel	Stainless Steel
Connector Body Plating	Passivated	Passivated

Electrical Specifications

Frequency	DC - 18GHz
VSWR / Return Loss	1.25
Insertion Loss	$\leq 0.05 \times \text{Sqrt.}(f_GHz)$

Mechanical Data

Min. Mating Cycles	≥ 500
Weight (g)	5.6 g

Environmental Specifications

RoHS Compliant	Yes
Operating Temperature Range	-55 °C to +165 °C

Test Report

