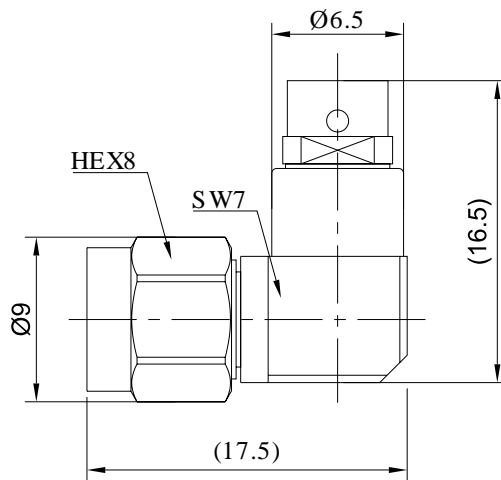


SMA Male Connector for .141" Series Cables with Right Angle, DC - 18GHz

P/N: FR2-SMA-JWB3-2



Dimensions are in mm



Product Configuration

Body Style	Right Angle
Connector Series	SMA
Connector Polarity	Standard
Connector Gender	Male
Termination Type	Coax
Connector Impedance (Ohm)	50
Mount Method	None

Electrical Specifications

Frequency	DC-18GHz
VSWR	1.25
Insertion Loss	$\leq 0.1 \times \text{Sq.}(f_{\text{GHz}})$

Mechanical Data

Min. Mating Cycles	≥ 500
Weight	6.2 g
Body Material	Brass
Body Plating	Nickel

Environmental Specifications

RoHS Compliant	Yes
Operating Temperature Range	-55 °C to +165 °C
MIL/STD	N/A