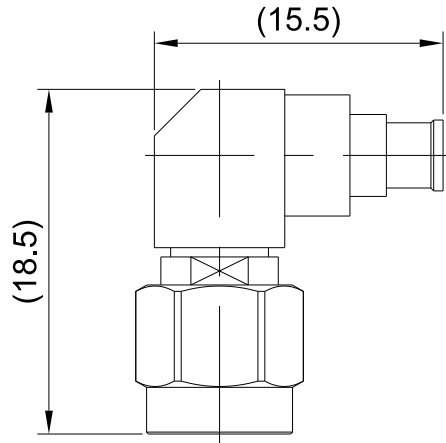


## SMA Male Connector for .086' Series Cables with Right Angle, DC - 18GHz

P/N: FR2-SMA-JWB2-1



Dimensions are in mm

### Product Configuration

Body Style	Right Angle
Connector Series	SMA
Connector Polarity	Standard
Connector Gender	Male
Termination Type	Coax
Connector Impedance (Ohm)	50
Mount Method	None

### Electrical Specifications

Frequency	DC-18GHz
VSWR	1.35
Insertion Loss	$\leq 0.1 \times \text{Sqrt.}(f\_GHz)$

### Mechanical Data

Mating Cycles, Min	$\geq 500$
Weight	5.97 g
Body Material	Stainless Steel
Body Plating	Passivated

### Environmental Specifications

RoHS Compliant	Yes
Operating Temperature Range	-55 °C to +165 °C
MIL/STD	N/A