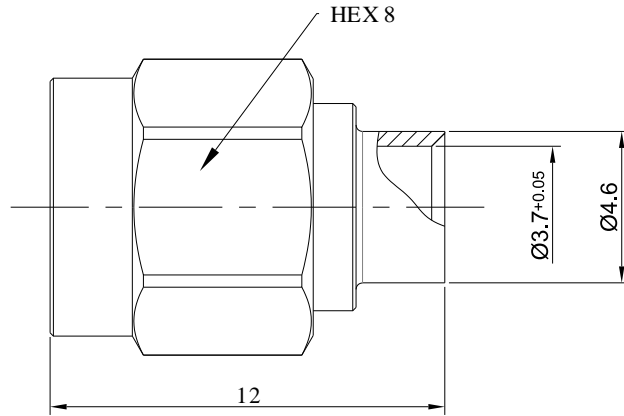


SMA Male Connector for .141' Series Cables, DC - 18GHz

P/N: FR2-SMA-JB3S



Dimensions are in mm

Product Configuration

Body Style	Straight
Connector Series	SMA
Connector Polarity	Standard
Connector Gender	Male
Termination Type	Coax
Connector Impedance (Ohm)	50
Mount Method	None

Electrical Specifications

Frequency	DC-18GHz
VSWR	1.25
Insertion Loss	$\leq 0.1 \times \text{Sqrt.}(f_GHz)$

Mechanical Data

Mating Cycles, Min	≥ 500
Weight	2.2 g
Body Material	Stainless Steel
Body Plating	Passivated

Environmental Specifications

RoHS Compliant	Yes
Operating Temperature Range	-55 °C to +165 °C
MIL/STD	N/A