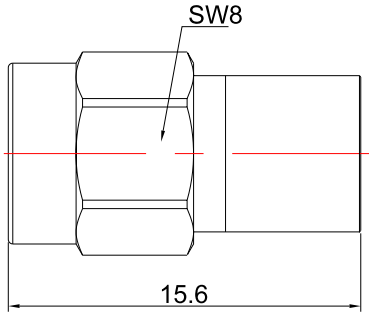


SMA Male RF Load Termination Up To 18 GHz | 0.5 Watts | Gold Plated Brass

P/N: FR3-SMA-J-03



Dimensions are in mm



Product Configuration

Connector Series	SMA
Connector Polarity	Standard
Connector Gender	Male
Connector Impedance (Ohm)	50

Electrical Specifications

Frequency	DC - 18GHz
VSWR / Return Loss	1.25
Power, Max Input (Watts)	0.5

Mechanical Data

Min. Mating Cycles	≥500
Weight	3.62 g
Body Material	Brass
Body Plating	Gold

Environmental Specifications

RoHS Compliant	Yes
Operating Temperature Range	-55 °C to +125 °C
MIL/STD	N/A

Test Report

