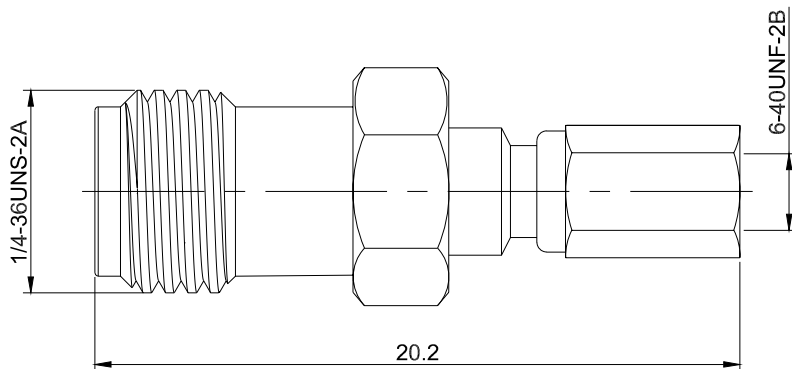


SMA Female to SSMC Female Adapter, DC - 6GHz

FR1-SMA/SSMC-KK



Dimensions are in mm



Product Configuration

Connector 1 Series	SMA
Connector 1 Polarity	Standard
Connector 1 Gender	Female
Connector 1 Impedance (Ohm)	50
Connector 1 Mount Method	None
Connector 2 Series	SSMC
Connector 2 Polarity	Standard
Connector 2 Gender	Female
Connector 2 Impedance (Ohm)	50
Connector 2 Mount Method	None
Body Style	Straight

Mechanical Data

Connector 1 Body Material	Brass
Connector 1 Body Plating	Gold
Connector 2 Body Material	Brass
Connector 2 Body Plating	Gold
Min. Mating Cycles	≥500

Electrical Specifications

Frequency	DC-6GHz
VSWR	1.2
Insertion Loss	≤0.05 x Sq.(f_GHz)

Environmental Specifications

RoHS Compliant	Yes
Operating Temperature Range	-55 °C to +165 °C
MIL/STD	N/A