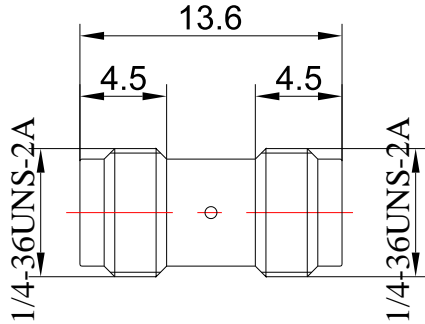


SMA Female to SMA Reverse Polarity Male Straight Adapter | DC to 18GHz

P/N: FR1-SMA/RPSMA-KJ



Dimensions are in mm



Product Configuration

	Connector 1	Connector 2
Connector Series	SMA	SMA
Connector Polarity	Standard	Reverse Polarity
Connector Gender	Female	Male
Connector Impedance (Ohm)	50	50
Body Style	Straight	Straight
Connector Body Material	Brass	Brass
Connector Body Plating	Gold	Gold
Mount Method		None

Electrical Specifications

Frequency	DC - 18GHz
VSWR / Return Loss	1.25
Insertion Loss	$\leq 0.1 \times \text{Sqrt.}(f_GHz)$

Mechanical Data

Min. Mating Cycles	≥ 500
--------------------	------------

Environmental Specifications

RoHS Compliant	Yes
Operating Temperature Range	-55 °C to +165 °C
MIL/STD	N/A

Test Report

