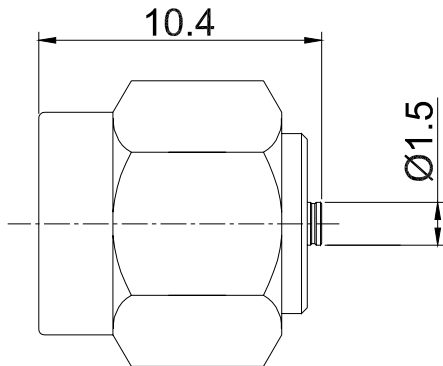


## SMA Male to IPX4 Male Straight Adapter | DC-6GHz

P/N: FR1-SMA/IPX4-JJ



Dimensions are in mm

Product Configuration		
	Connector 1	Connector 2
Connector Series	SMA	IPX4
Connector Polarity	Standard	Standard
Connector Gender	Male	Male
Connector Impedance (Ohm)	50	50
Body Style	Straight	Straight
Connector Body Material	Brass	Brass
Connector Body Plating	Nickel	Nickel
Mount Method		None

### Electrical Specifications

Frequency	DC - 6GHz
VSWR / Return Loss	≤ 1.35
Insertion Loss	≤ 0.1 x Sqrt.(f_GHz)

### Mechanical Data

Min. Mating Cycles	≥500
--------------------	------

### Environmental Specifications

RoHS Compliant	Yes
Operating Temperature Range	-40°C+85°C
MIL/STD	N/A