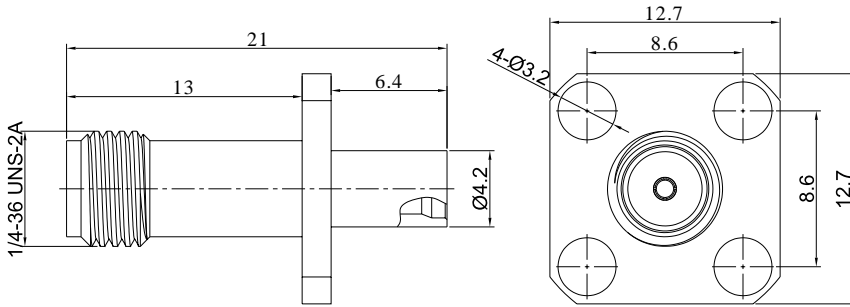


## SMA Female to GPO(SMP) Limited Detent Male Adapter with 4 Hole Flange, DC - 18GHz

FR1-SMA/GPO-KFJ1



Dimensions are in mm

### Product Configuration

Connector 1 Series	SMA
Connector 1 Polarity	Standard
Connector 1 Gender	Female
Connector 1 Impedance (Ohm)	50
Connector 1 Mount Method	4 Hole Flange
Connector 2 Series	GPO(SMP)
Connector 2 Polarity	Standard
Connector 2 Gender	Male
Connector 2 Impedance (Ohm)	50
Connector 2 Mount Method	4 Hole Flange
Body Style	Straight

### Mechanical Data

Connector 1 Body Material	Brass
Connector 1 Body Plating	Gold
Connector 2 Body Material	Brass
Connector 2 Body Plating	Gold
Mating Cycles, Min	≥500
Weight	3.47 g

### Electrical Specifications

Frequency	DC-18GHz
VSWR	1.45
Insertion Loss	≤0.1 x Sqrt.(f_GHz)

### Environmental Specifications

RoHS Compliant	Yes
Operating Temperature Range	-55 °C to +165 °C
MIL/STD	N/A