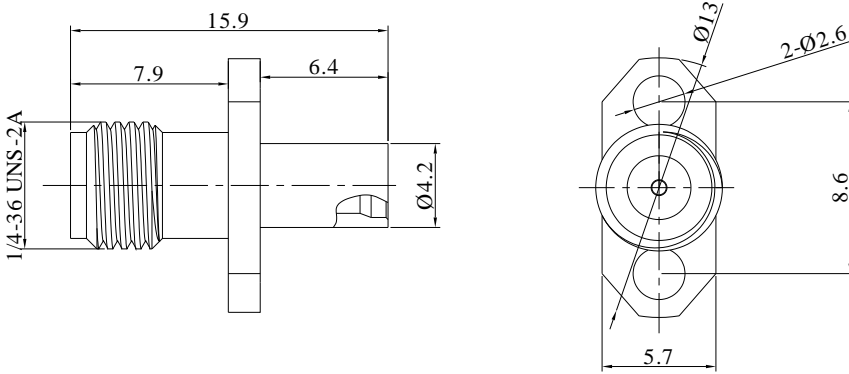


SMA Female to GPO (SMP) Male Adapter with 2 Hole Flange, DC - 18GHz

FR1-SMA/GPO-KFJ-F



Dimensions are in mm



Product Configuration

| | |
|-----------------------------|---------------|
| Connector 1 Series | SMA |
| Connector 1 Polarity | Standard |
| Connector 1 Gender | Female |
| Connector 1 Impedance (Ohm) | 50 |
| Connector 1 Mount Method | 2 Hole Flange |
| Connector 2 Series | GPO(SMP) |
| Connector 2 Polarity | Standard |
| Connector 2 Gender | Male |
| Connector 2 Impedance (Ohm) | 50 |
| Connector 2 Mount Method | 2 Hole Flange |
| Body Style | Straight |

Mechanical Data

| | |
|---------------------------|-------|
| Connector 1 Body Material | Brass |
| Connector 1 Body Plating | Gold |
| Connector 2 Body Material | Brass |
| Connector 2 Body Plating | Gold |
| Mating Cycles, Min | ≥500 |

Electrical Specifications

| | |
|----------------|--------------------|
| Frequency | DC-18GHz |
| VSWR | 1.45 |
| Insertion Loss | ≤0.1 xSqrt.(f_GHz) |

Environmental Specifications

| | |
|-----------------------------|-------------------|
| RoHS Compliant | Yes |
| Operating Temperature Range | -55 °C to +165 °C |
| MIL/STD | N/A |