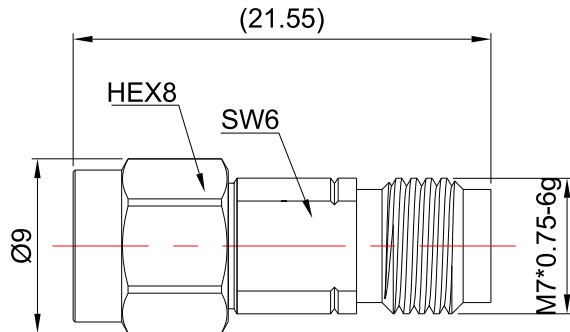


SMA Male to 2.4mm Female Straight Precision Adapter | DC to 26.5GHz

P/N: FR1-SMA/2.4-JKS



Dimensions are in mm

Product Configuration

	Connector 1	Connector 2
Connector Series	SMA	2.4mm
Connector Polarity	Standard	Standard
Connector Gender	Male	Female
Connector Impedance (Ohm)	50	50
Body Style	Straight	Straight
Connector Body Material	Stainless Steel	Stainless Steel
Connector Body Plating	Passivated	Passivated

Electrical Specifications

Frequency	DC - 26.5GHz
VSWR / Return Loss	1.15
Insertion Loss	$\leq 0.05 \times \text{Sqrt.}(f_GHz)$

Mechanical Data

Min. Mating Cycles	≥ 500
--------------------	------------

Environmental Specifications

RoHS Compliant	Yes
Operating Temperature Range	-55 °C to +165 °C