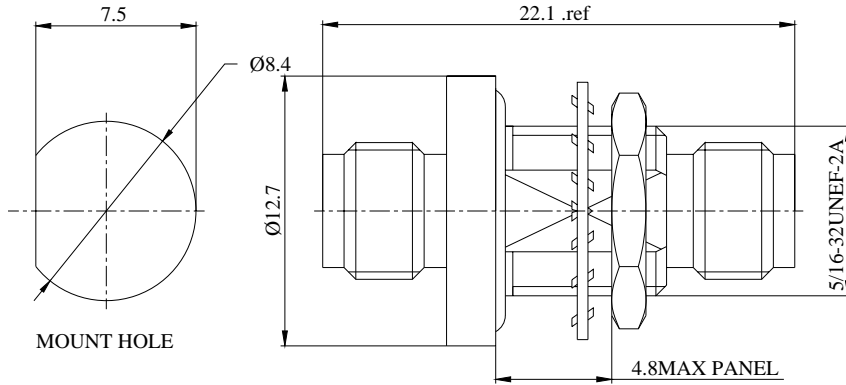


SMA Female to SMA Female Hermetically Sealed Bulkhead Mount Adaptor, DC - 18GHz

FR1-SMAM-KYKE



Dimensions are in mm



Product Configuration

Connector 1 Series	SMA
Connector 1 Polarity	Standard
Connector 1 Gender	Female
Connector 1 Impedance (Ohm)	50
Connector 1 Mount Method	Bulkhead
Connector 2 Series	SMA
Connector 2 Polarity	Standard
Connector 2 Gender	Female
Connector 2 Impedance (Ohm)	50
Connector 2 Mount Method	Bulkhead
Body Style	Straight

Mechanical Data

Connector 1 Body Material	Stainless Steel
Connector 1 Body Plating	Gold
Connector 2 Body Material	Stainless Steel
Connector 2 Body Plating	Gold
Min. Mating Cycles	≥500
Weight	7.15 g

Electrical Specifications

Frequency	DC-18GHz
VSWR	1.25
Insertion Loss	≤0.1 xSq.(f_GHz)

Environmental Specifications

RoHS Compliant	Yes
Operating Temperature Range	-40°C to +125°C
MIL/STD	N/A
Hermetic Seal	1 [^] 10(-8) cc/sec of Helium at 1 ATM