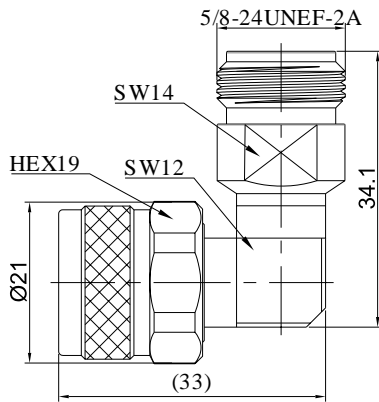


N Male to N Female Right Angle Precision Adapter | DC-18GHz

P/N: FR1-N-JWKS



Dimensions are in mm



Product Configuration

	Connector 1	Connector 2
Connector Series	N	N
Connector Polarity	Standard	Standard
Connector Gender	Male	Female
Connector Impedance (Ohm)	50	50
Body Style	Right Angle	Right Angle
Connector Body Material	Stainless Steel	Stainless Steel
Connector Body Plating	Passivated	Passivated
Mount Method		None

Electrical Specifications

Frequency	DC - 18GHz
VSWR / Return Loss	1.2
Insertion Loss	$\leq 0.06 \times \text{Sqrt.}(f_GHz)$

Mechanical Data

Min. Mating Cycles	≥ 500
Weight (g)	55 g

Environmental Specifications

RoHS Compliant	Yes
Operating Temperature Range	-55 °C to +165 °C
MIL/STD	N/A