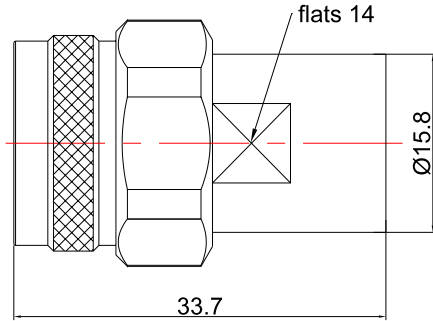


## N Male RF Load Termination Up To 18 GHz | 2 Watts | Passivated Stainless Steel

P/N: FR3-N-J-03S



Dimensions are in mm



### Product Configuration

Connector Series	N
Connector Polarity	Standard
Connector Gender	Male
Connector Impedance (Ohm)	50

### Electrical Specifications

Frequency	DC -18GHz
VSWR / Return Loss	1.15
Power, Max Input (Watts)	2

### Mechanical Data

Min. Mating Cycles	≥500
Weight	40.69 g
Body Material	Stainless Steel
Body Plating	Passivated

### Environmental Specifications

RoHS Compliant	Yes
Operating Temperature Range	-55 °C to +125 °C
MIL/STD	N/A