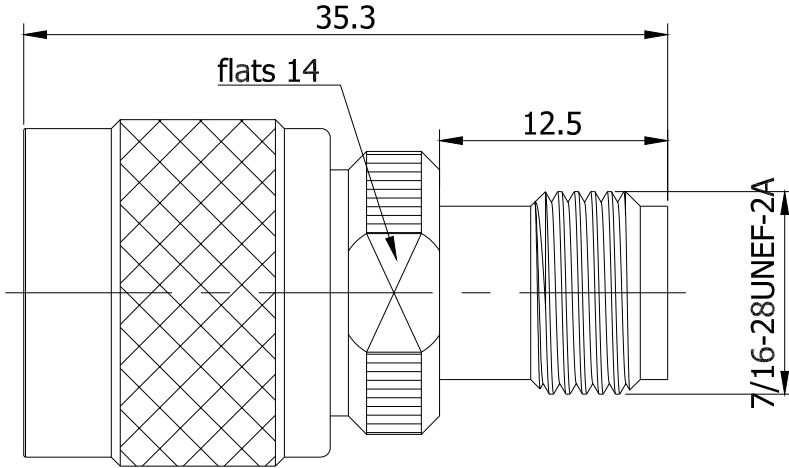


N Male to TNC Female Adapter, DC -3GHz

FR1-N/TNC-JK



Dimensions are in mm

Product Configuration

Connector 1 Series	N
Connector 1 Polarity	Standard
Connector 1 Gender	Male
Connector 1 Impedance (Ohm)	50
Connector 1 Mount Method	None
Connector 2 Series	TNC
Connector 2 Polarity	Standard
Connector 2 Gender	Female
Connector 2 Impedance (Ohm)	50
Connector 2 Mount Method	None
Body Style	Straight

Mechanical Data

Connector 1 Body Material	Brass
Connector 1 Body Plating	Nickel
Connector 2 Body Material	Brass
Connector 2 Body Plating	Nickel
Mating Cycles, Min	≥500
Weight	35 g

Electrical Specifications

Frequency	DC-3GHz
VSWR	1.30
Insertion Loss	≤0.1 xSqt.(f_GHz)

Environmental Specifications

RoHS Compliant	Yes
Operating Temperature Range	-55 °C to +165 °C