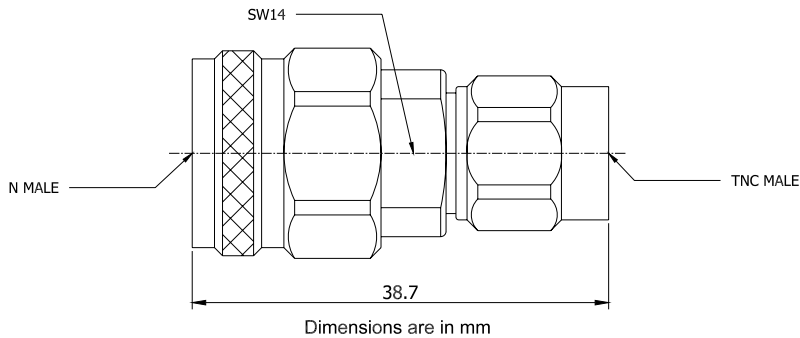


## Precision N Male to TNC Male Adapter, DC -18GHz

FR1-N/TNC-JJS



### Product Configuration

Connector 1 Series	N
Connector 1 Polarity	Standard
Connector 1 Gender	Male
Connector 1 Impedance (Ohm)	50
Connector 1 Mount Method	None
Connector 2 Series	TNC
Connector 2 Polarity	Standard
Connector 2 Gender	Male
Connector 2 Impedance (Ohm)	50
Connector 2 Mount Method	None
Body Style	Straight

### Mechanical Data

Connector 1 Body Material	Stainless Steel
Connector 1 Body Plating	Passivated
Connector 2 Body Material	Stainless Steel
Connector 2 Body Plating	Passivated
Mating Cycles, Min	≥500
Weight	36 g

### Electrical Specifications

Frequency	DC-18GHz
VSWR	1.20
Insertion Loss	≤0.1 xSqt.(f_GHz)

### Environmental Specifications

RoHS Compliant	Yes
Operating Temperature Range	-55 °C to +165 °C