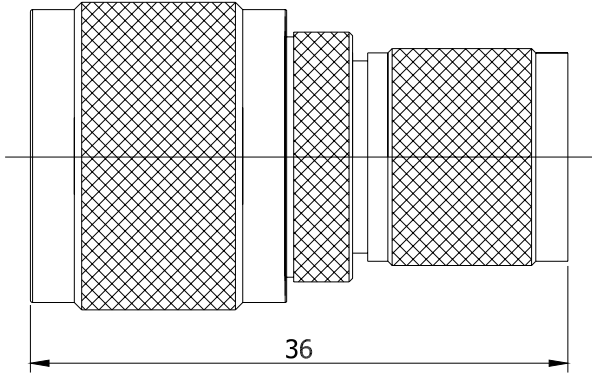


## N Male to TNC Male Straight Adapter | DC-3GHz

P/N: FR1-N/TNC-JJ



Dimensions are in mm



### Product Configuration

	Connector 1	Connector 2
Connector Series	N	TNC
Connector Polarity	Standard	Standard
Connector Gender	Male	Male
Connector Impedance (Ohm)	50	50
Body Style	Straight	Straight
Connector Body Material	Brass	Brass
Connector Body Plating	Nickel	Nickel
Mount Method		None

### Electrical Specifications

Frequency	DC - 3GHz
VSWR / Return Loss	1.30
Insertion Loss	$\leq 0.1 \times \text{Sqrt.}(f\_GHz)$

### Mechanical Data

Min. Mating Cycles	$\geq 500$
Weight (g)	39 g

### Environmental Specifications

RoHS Compliant	Yes
Operating Temperature Range	-55 °C to +165 °C

### Test Report

