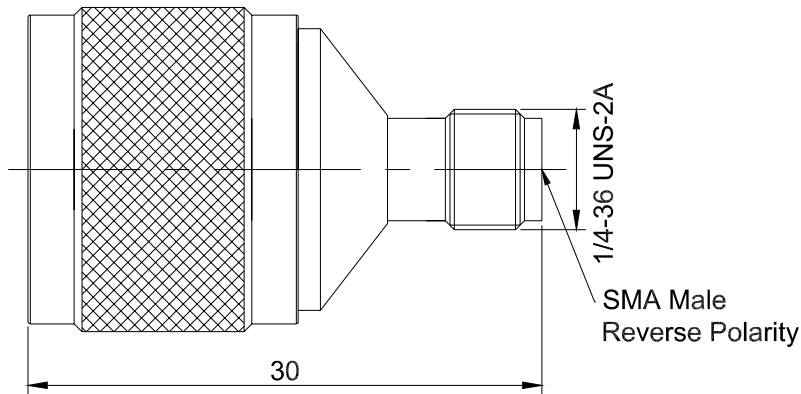


## N Male to SMA Male Reverse Polarity Adapter, DC - 12.7GHz

FR1-N/RPSMA-JJ



Dimensions are in mm



### Product Configuration

Connector 1 Series	N
Connector 1 Polarity	Standard
Connector 1 Gender	Male
Connector 1 Impedance (Ohm)	50
Connector 1 Mount Method	None
Connector 2 Series	SMA
Connector 2 Polarity	Reverse Polarity
Connector 2 Gender	Male
Connector 2 Impedance (Ohm)	50
Connector 2 Mount Method	None
Body Style	Straight

### Mechanical Data

Connector 1 Body Material	Brass
Connector 1 Body Plating	Nickel
Connector 2 Body Material	Brass
Connector 2 Body Plating	Gold
Min. Mating Cycles	≥500

### Electrical Specifications

Frequency	DC to 12.7GHz
VSWR	1.25
Insertion Loss	≤0.1 xSqt.(f_GHz)

### Environmental Specifications

RoHS Compliant	Yes
Operating Temperature Range	-55 °C to +165 °C
MIL/STD	N/A