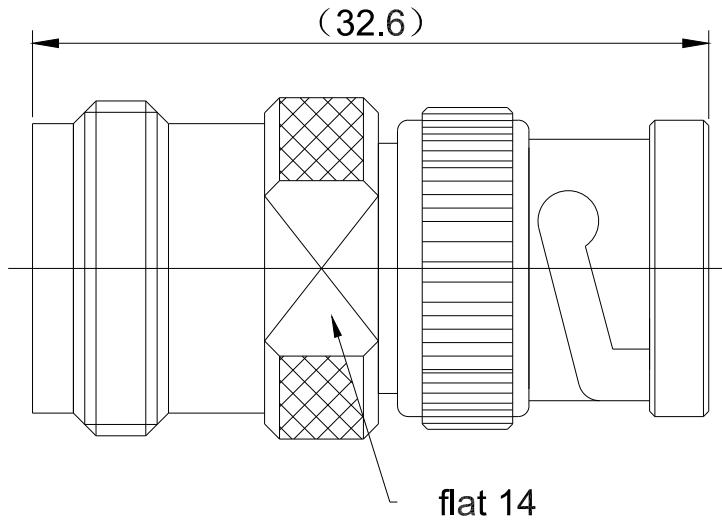


## N Female to BNC Male Adapter, DC -3GHz

FR1-N/BNC-KJ



Dimensions are in mm



### Product Configuration

Connector 1 Series	BNC
Connector 1 Polarity	Standard
Connector 1 Gender	Female
Connector 1 Impedance (Ohm)	50
Connector 1 Mount Method	None
Connector 2 Series	BNC
Connector 2 Polarity	Standard
Connector 2 Gender	Male
Connector 2 Impedance (Ohm)	50
Connector 2 Mount Method	None
Body Style	Straight

### Mechanical Data

Connector 1 Body Material	Brass
Connector 1 Body Plating	Nickel
Connector 2 Body Material	Brass
Connector 2 Body Plating	Nickel
Mating Cycles, Min	≥500
Weight	33 g

### Electrical Specifications

Frequency	DC-3GHz
VSWR	1.30
Insertion Loss	≤0.1 xSqrt.(f_GHz)

### Environmental Specifications

RoHS Compliant	Yes
Operating Temperature Range	-55 °C to +165 °C