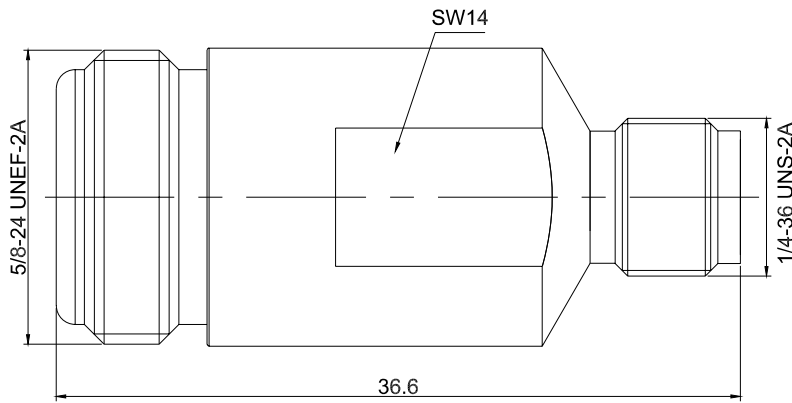


N Female to 3.5mm Female Adapter, DC - 18GHz

FR1-N/3.5-KKS



Dimensions are in mm



Product Configuration

Connector 1 Series	N
Connector 1 Polarity	Standard
Connector 1 Gender	Female
Connector 1 Impedance (Ohm)	50
Connector 1 Mount Method	None
Connector 2 Series	3.5mm
Connector 2 Polarity	Standard
Connector 2 Gender	Female
Connector 2 Impedance (Ohm)	50
Connector 2 Mount Method	None
Body Style	Straight

Mechanical Data

Connector 1 Body Material	Stainless Steel
Connector 1 Body Plating	Passivated
Connector 2 Body Material	Stainless Steel
Connector 2 Body Plating	Passivated
Min. Mating Cycles	≥500

Electrical Specifications

Frequency	DC to 18GHz
VSWR	1.15

Environmental Specifications

RoHS Compliant	Yes
Operating Temperature Range	-55 °C to +165 °C
MIL/STD	N/A