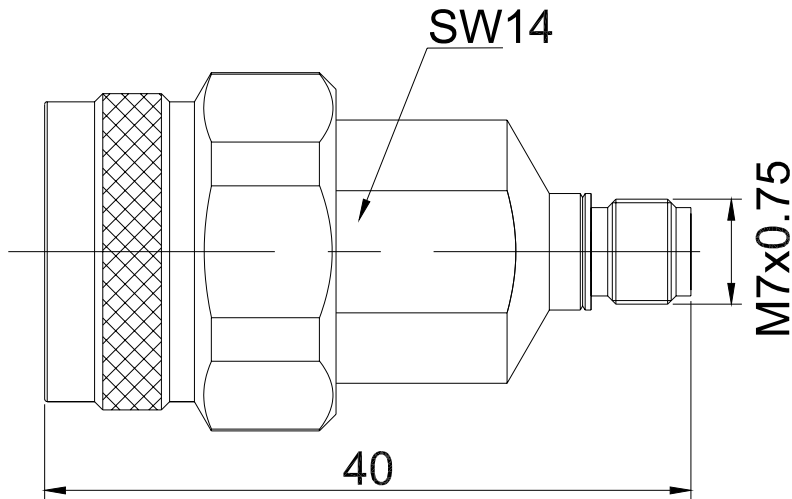


## N Male to 2.4mm Female Adapter, DC - 18GHz

FR1-N/2.4-JKS



Dimensions are in mm

### Product Configuration

Connector 1 Series	N
Connector 1 Polarity	Standard
Connector 1 Gender	Male
Connector 1 Impedance (Ohm)	50
Connector 1 Mount Method	None
Connector 2 Series	2.4mm
Connector 2 Polarity	Standard
Connector 2 Gender	Female
Connector 2 Impedance (Ohm)	50
Connector 2 Mount Method	None
Body Style	Straight

### Mechanical Data

Connector 1 Body Material	Stainless Steel
Connector 1 Body Plating	Passivated
Connector 2 Body Material	Stainless Steel
Connector 2 Body Plating	Passivated
Min. Mating Cycles	≥500

### Electrical Specifications

Frequency	DC to 18GHz
VSWR	≤1.20
Insertion Loss	≤0.1 xSqt.(f_GHz)

### Environmental Specifications

RoHS Compliant	Yes
Operating Temperature Range	-55 °C to +165 °C
MIL/STD	N/A