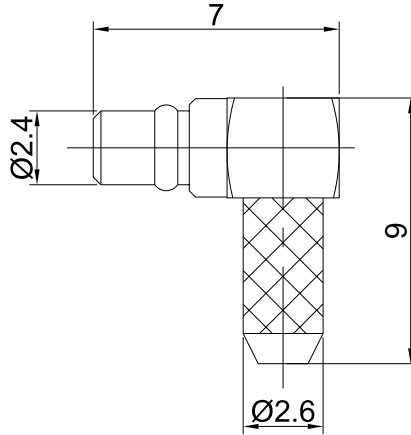


## MMCX Right Angle Male Connector for RG316 Series Coax Cable | DC-6GHz

P/N: FR2-MMCX-JW3



Dimensions are in mm



### Product Configuration

Body Style	Right Angle
Connector Series	MMCX
Connector Polarity	Standard
Connector Gender	Male
Termination Type	Coax
Connector Impedance (Ohm)	50
Mount Method	None

### Electrical Specifications

Frequency	DC - 3GHz
VSWR / Return Loss	1.25 to 3 GHz
Insertion Loss	$\leq 0.1 \times \text{Sqrt.}(f\_GHz)$

### Mechanical Data

Min. Mating Cycles	$\geq 500$
Body Material	Brass
Body Plating	Gold

### Environmental Specifications

RoHS Compliant	Yes
Operating Temperature Range	-40°C to +165°C
MIL/STD	N/A