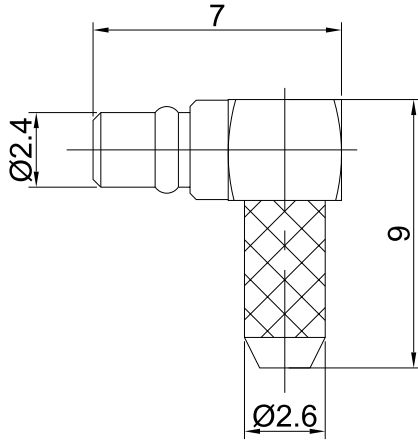


MMCX Right Angle Male Connector for RG316 Series Coax Cable | DC-6GHz

**MMCX-JW3**



Dimensions are in mm



### Product Configuration

Connector Series	MMCX
Connector Polarity	Standard
Connector Gender	Male
Body Style	Right Angle
Termination Type	Coax
Connector Impedance (Ohm)	50
Mount Method	None

### Mechanical Data

Min. Mating Cycles	≥500
Body Material	Brass
Body Plating	Gold

### Electrical Specifications

Frequency	DC - 3GHz
VSWR / Return Loss	1.25 to 3 GHz
Insertion Loss	≤ 0.1 x Sqrt.(f_GHz)

### Environmental Specifications

RoHS Compliant	Yes
Operating Temperature Range	-40°C to +165°C
MIL/STD	N/A