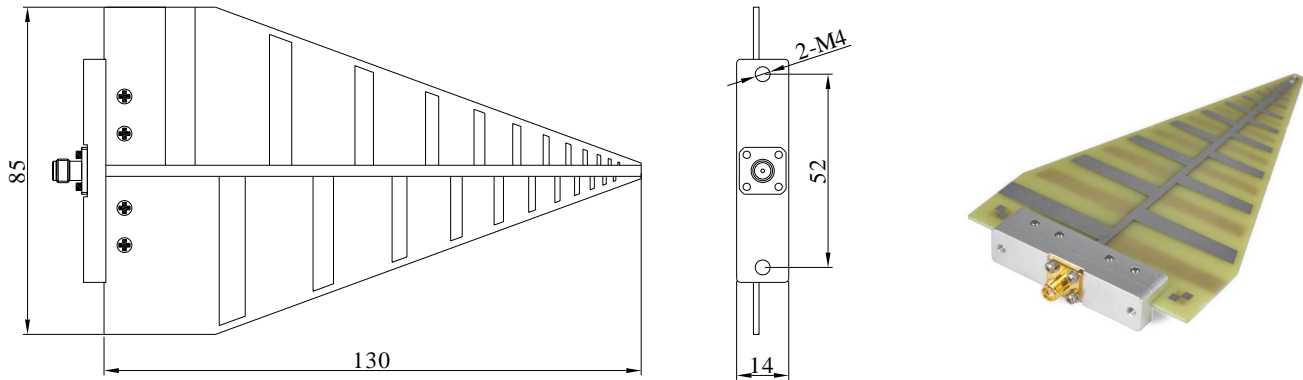


2GHz to 12GHz Ultra-Wideband 6dBi Gain Log-periodic Antenna

P/N: LPA2000M-12000M



Dimensions are in mm

Product Configuration

Connector Series	SMA
Connector Polarity	Standard
Connector Gender	Female
Connector Impedance (Ohm)	50
Antenna Type	Log Periodic

Mechanical Data

Weight	56.3 g
Colour	Silver
Radome Material	None

Electrical Specifications

Power, Max Input (Watts)	20
VSWR, Max Input	2.5
Directionality	Directional
Polarization	Linear
Number of Bands	Single
Gain, Typical (dBi)	6

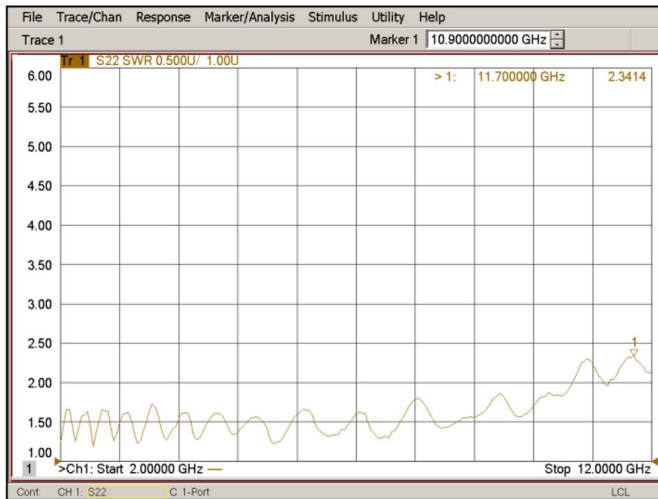
Environmental Specifications

RoHS Compliant	Yes
Operating Temperature Range	-40 °C to +80 °C

2GHz to 12GHz Ultra-Wideband 6dBi Gain Log-periodic Antenna

P/N: LPA2000M-12000M

VSWR Test Figure



Bandwidth & Gain Table

Frequency (GHz)	E Beamwidth (°)	H Beamwidth (°)	Gain (dBi)
2	5.8	108	5.8
4	6.0	120	6.0
6	5.9	108	5.9
8	6.8	98	6.8
10	7.6	88	7.6
12	7.8	84	7.8

Bandwidth & Gain Test Figures

