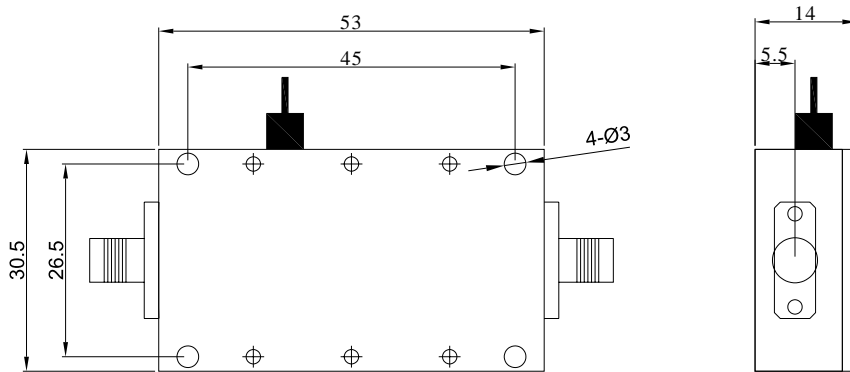


## SMA Female Low Noise Amplifier (LNA), 37dB Gain, 0.8dB Noise Figure, 0.01 - 4GHz

P/N: LNA-10M4G-G37-P20



Dimensions are in mm

### Product Configuration

Connector-In Series	SMA
Connector-In Polarity	Standard
Connector-In Gender	Female
Connector-In Impedance (Ohm)	50
Connector-Out Series	SMA
Connector-Out Polarity	Standard
Connector-Out Gender	Female
Connector-Out Impedance (Ohm)	50

### Electrical Specifications

Frequency Range	0.01-4GHz
Gain, Typical (dB)	37
P-1dB (dBm)	20
Noise Figure, Max (dB)	0.8
Voltage, DC Typ (Volts)	+5
Current, Max (mA)	90
Max Input Power (dBm)	0

**SMA Female Low Noise Amplifier (LNA), 37dB Gain, 0.8dB Noise Figure, 0.01 - 4GHz**

**P/N: LNA-10M4G-G37-P20**

## Mechanical Data

Mating Cycles, Min	≥500
Weight (g)	47 g

## Environmental Specifications

RoHS Compliant	Yes
----------------	-----