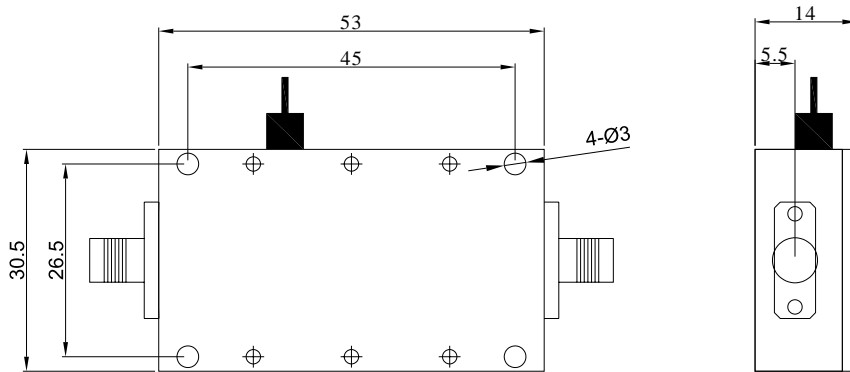


SMA Female Low Noise Amplifier (LNA) | 17dB Gain | 0.8dB Noise Figure | 0.01 - 4GHz

P/N: LNA-10M4G-G17-P10



Dimensions are in mm

Product Configuration

Connector-In Series	SMA
Connector-In Polarity	Standard
Connector-In Gender	Female
Connector-In Impedance (Ohm)	50
Connector-Out Series	SMA
Connector-Out Polarity	Standard
Connector-Out Gender	Female
Connector-Out Impedance (Ohm)	50

Electrical Specifications

Frequency Range	0.01-4GHz
Gain, Typical (dB)	17
P-1dB (dBm)	10
Noise Figure, Max (dB)	0.8
Voltage, DC Typ (Volts)	+5
Current, Max (mA)	20
Max Input Power (dBm)	0

SMA Female Low Noise Amplifier (LNA) | 17dB Gain | 0.8dB Noise Figure | 0.01 - 4GHz

P/N: LNA-10M4G-G17-P10

Mechanical Data

Min. Mating Cycles	≥500
Weight (g)	47 g

Environmental Specifications

RoHS Compliant	Yes
----------------	-----