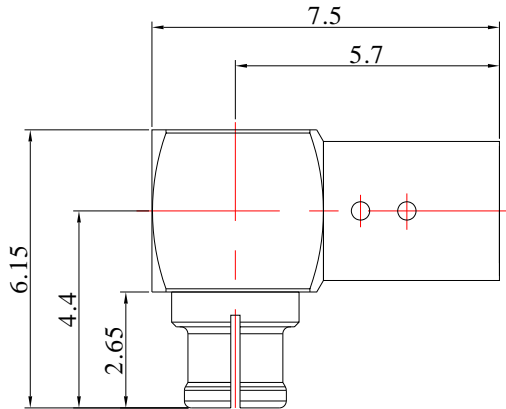


GPPO (Mini-SMP) Female Connector with Right Angle for .086" Series Cables, DC - 50GHz

P/N: FR2-GPPO-KWB2



Dimensions are in mm

Product Configuration

Body Style	Right Angle
Connector Series	GPPO(Mini-SMP)
Connector Polarity	Standard
Connector Gender	Female
Termination Type	Coax
Connector Impedance (Ohm)	50
Mount Method	None

Electrical Specifications

Frequency	DC-50GHz
VSWR	1.1 to 6GHz, 1.23 to 12GHz, 1.32to 18GHz
Insertion Loss	$\leq 0.1 \times \text{Sqrt.}(f_GHz)$

Mechanical Data

Min. Mating Cycles	≥ 500
Weight	0.45 g
Body Material	Brass
Body Plating	Gold

Environmental Specifications

RoHS Compliant	Yes
Operating Temperature Range	-55 °C to +165 °C
MIL/STD	N/A