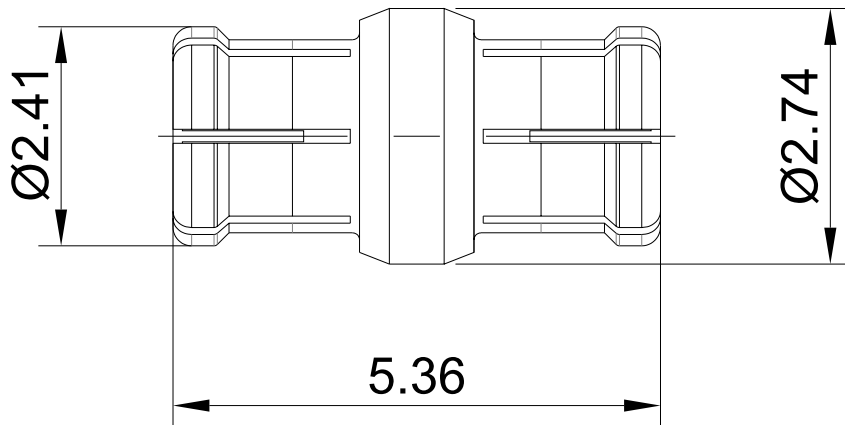


GPPO(Mini-SMP) Female to GPPO(Mini-SMP) Female Adapter, Length 5.36mm, DC - 65GHz

FR1-GPPO-KK



Dimensions are in mm

Product Configuration

Connector 1 Series	GPPO(Mini-SMP)
Connector 1 Polarity	Standard
Connector 1 Gender	Female
Connector 1 Impedance (Ohm)	50
Connector 1 Mount Method	None
Connector 2 Series	GPPO(Mini-SMP)
Connector 2 Polarity	Standard
Connector 2 Gender	Female
Connector 2 Impedance (Ohm)	50
Connector 2 Mount Method	None
Body Style	Straight

Mechanical Data

Connector 1 Body Material	Beryllium Copper
Connector 1 Body Plating	Gold
Connector 2 Body Material	Beryllium Copper
Connector 2 Body Plating	Gold
Mating Cycles, Min	≥500
Weight	0.1 g

Electrical Specifications

Frequency	DC-65GHz
VSWR	1.44 to 50GHz
Insertion Loss	≤0.1 xSqt.(f_GHz)

Environmental Specifications

RoHS Compliant	Yes
Operating Temperature Range	-55 °C to +165 °C
MIL/STD	N/A