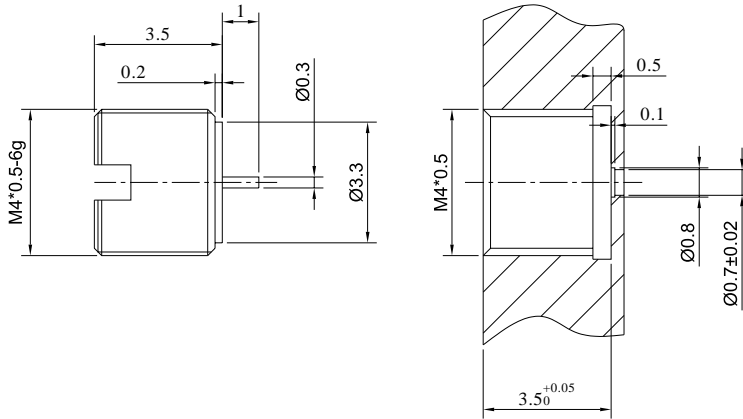


GPPO (Mini-SMP) Male Bulkhead Mount Connector, DC - 40GHz

P/N: FR2-GPPO-JYD2-F



Dimensions are in mm



Product Configuration

Body Style	Straight
Connector Series	GPPO(Mini-SMP)
Connector Polarity	Standard
Connector Gender	Male
Termination Type	Terminal
Connector Impedance (Ohm)	50
Mount Method	None

Electrical Specifications

Frequency	DC-40GHz
VSWR	1.22
Insertion Loss	$\leq 0.1 \times \sqrt{f_{GHz}}$

Mechanical Data

Mating Cycles, Min	≥ 500
Weight	0.5 g
Body Material	Brass
Body Plating	Gold

Environmental Specifications

RoHS Compliant	Yes
Operating Temperature Range	-55 °C to +165 °C
MIL/STD	N/A