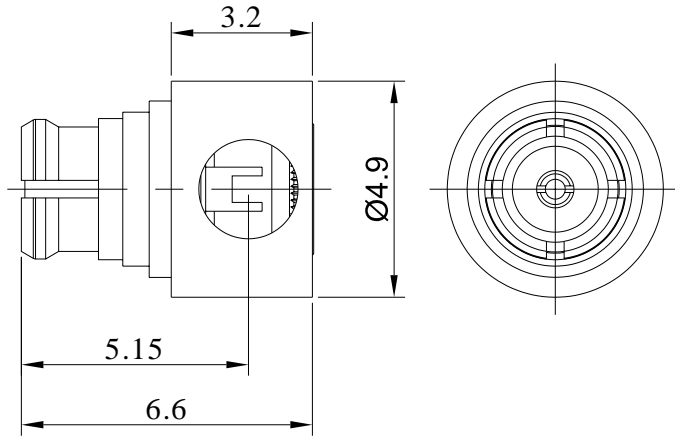


**GPO (SMP) Female Connector with Right Angle for .086" Series Cables,
DC - 26.5GHz**

P/N: FR2-GPO-KWB2



Dimensions are in mm

Product Configuration

Body Style	Right Angle
Connector Series	GPO(SMP)
Connector Polarity	Standard
Connector Gender	Female
Termination Type	Coax
Connector Impedance (Ohm)	50
Mount Method	None

Electrical Specifications

Frequency	DC-26.5GHz
VSWR	1.1 to 6GHz, 1.22 to 12GHz, 1.43 to 18GHz
Insertion Loss	≤0.1 xSq.(f_GHz)

Mechanical Data

Min. Mating Cycles	≥500
Weight	0.49 g
Body Material	Beryllium Copper
Body Plating	Gold

Environmental Specifications

RoHS Compliant	Yes
Operating Temperature Range	-55 °C to +165 °C
MIL/STD	N/A