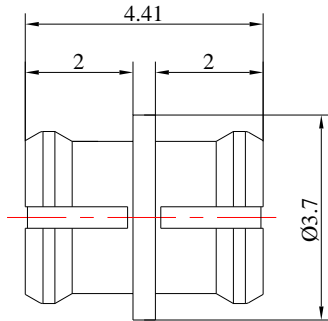


GPO(SMP) Female-GPO(SMP) Female Adapter, DC-40GHz | Length 4.4 mm P/N: GPO-KK44



Dimensions are in mm

Product Configuration

	Connector 1	Connector 2
Connector Series	GPO(SMP)	GPO(SMP)
Connector Polarity	Standard	Standard
Connector Gender	Female	Female
Connector Impedance (Ohm)	50	50
Connector Body Material	CuBe	CuBe
Connector Body Plating	Gold	Gold
Body Style	Straight	Straight

Electrical Specifications

Frequency	DC to 40 GHz
VSWR / Return Loss	1.6
Insertion Loss	$\leq 0.1 \times \text{Sqrt.}(f_GHz)$

Mechanical Data

Min. Mating Cycles	≥ 500
--------------------	------------

Environmental Specifications

RoHS Compliant	Yes
Operating Temperature Range	-40°C to +125°C