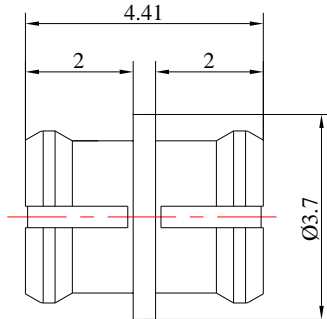


**GPO(SMP) Female-GPO(SMP) Female Adapter, DC-40GHz |  
Length 4.4 mm**

**P/N: FR1-GPO-KK44**



Dimensions are in mm



Product Configuration		
	Connector 1	Connector 2
Connector Series	GPO(SMP)	GPO(SMP)
Connector Polarity	Standard	Standard
Connector Gender	Female	Female
Connector Impedance (Ohm)	50	50
Body Style	Straight	Straight
Connector Body Material	CuBe	CuBe
Connector Body Plating	Gold	Gold

### Electrical Specifications

Frequency	DC to 40 GHz
VSWR / Return Loss	1.6
Insertion Loss	$\leq 0.1 \times \text{sqrt}(f\_GHz)$

### Mechanical Data

Min. Mating Cycles	$\geq 500$
--------------------	------------

### Environmental Specifications

RoHS Compliant	Yes
Operating Temperature Range	-40°C to +125°C