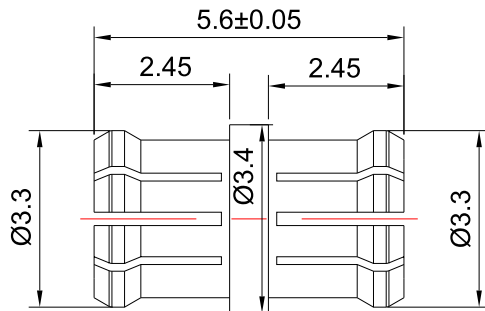


GPO(SMP) Female to GPO(SMP) Female Precision Adapter | DC to 33 GHz | P/N: GPO-KK2  
Length 5.6mm



Dimensions are in mm



### Product Configuration

|                           | Connector 1 | Connector 2 |
|---------------------------|-------------|-------------|
| Connector Series          | GPO(SMP)    | GPO(SMP)    |
| Connector Polarity        | Standard    | Standard    |
| Connector Gender          | Female      | Female      |
| Connector Impedance (Ohm) | 50          | 50          |
| Connector Body Material   | CuBe        | CuBe        |
| Connector Body Plating    | Gold        | Gold        |
| Body Style                | Straight    | Straight    |

### Electrical Specifications

|                    |  |
|--------------------|--|
| Frequency          | DC - 33GHz                             |
| VSWR / Return Loss | 1.50 to 33 GHz                         |
| Insertion Loss     | $\leq 0.1 \times \text{Sqrt.}(f\_GHz)$ |

### Mechanical Data

|                    |            |
|--------------------|------------|
| Min. Mating Cycles | $\geq 500$ |
|--------------------|------------|

### Environmental Specifications

|                             |                 |
|-----------------------------|-----------------|
| RoHS Compliant              | Yes             |
| Operating Temperature Range | -45°C to +125°C |