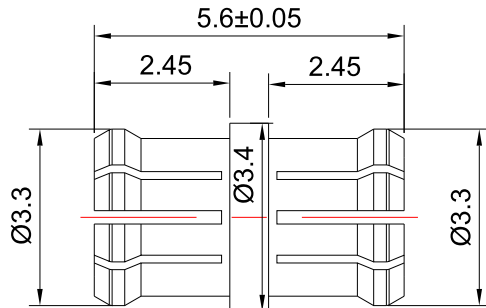


GPO(SMP) Female to GPO(SMP) Female Precision Adapter | DC to 33 GHz | Length 5.6mm

P/N: FR1-GPO-KK2



Dimensions are in mm



Product Configuration

	Connector 1	Connector 2
Connector Series	GPO(SMP)	GPO(SMP)
Connector Polarity	Standard	Standard
Connector Gender	Female	Female
Connector Impedance (Ohm)	50	50
Body Style	Straight	Straight
Connector Body Material	CuBe	CuBe
Connector Body Plating	Gold	Gold

Electrical Specifications

Frequency	DC - 33GHz
VSWR / Return Loss	1.50 to 33 GHz
Insertion Loss	$\leq 0.1 \times \text{Sqrt.}(f_GHz)$

Mechanical Data

Min. Mating Cycles	≥ 500
--------------------	------------

Environmental Specifications

RoHS Compliant	Yes
Operating Temperature Range	-45°C to +125°C