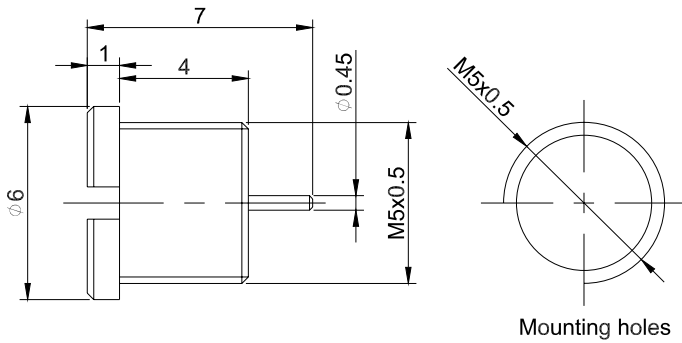


GPO(SMP) Male Bulkhead Mount Connector for PCB, DC - 26.5GHz, Limited Detent

P/N: FR2-GPO-JYD26AG-L



Dimensions are in mm



Product Configuration

Body Style	Straight
Connector Series	GPO(SMP)
Connector Polarity	Standard
Connector Gender	Male
Termination Type	PCB
Connector Impedance (Ohm)	50
Mount Method	Bulkhead

Electrical Specifications

Frequency	DC-26.5GHz
VSWR	1.4
Insertion Loss	$\leq 0.1 \times \sqrt{f_{GHz}}$

Mechanical Data

Min. Mating Cycles	≥ 500
Body Material	Stainless Steel
Body Plating	Passivated

Environmental Specifications

RoHS Compliant	Yes
Operating Temperature Range	-55 °C to +165 °C