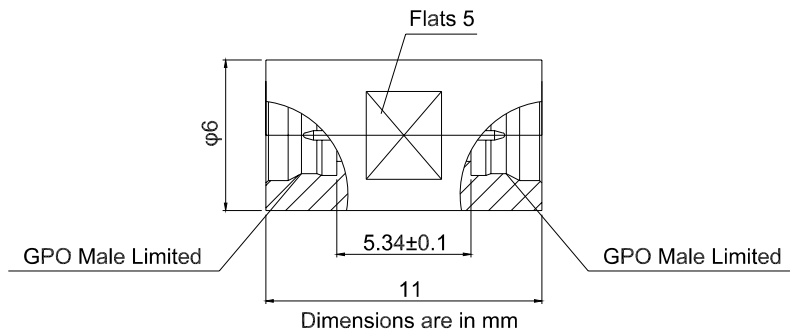


## GPO (SMP) Male to GPO (SMP) Male Adapter, DC - 18GHz

FR1-GPO-JJ



### Product Configuration

|                             |          |
|-----------------------------|----------|
| Connector 1 Series          | GPO(SMP) |
| Connector 1 Polarity        | Standard |
| Connector 1 Gender          | Male     |
| Connector 1 Impedance (Ohm) | 50       |
| Connector 1 Mount Method    | None     |
| Connector 2 Series          | GPO(SMP) |
| Connector 2 Polarity        | Standard |
| Connector 2 Gender          | Male     |
| Connector 2 Impedance (Ohm) | 50       |
| Connector 2 Mount Method    | None     |
| Body Style                  | Straight |

### Mechanical Data

|                           |       |
|---------------------------|-------|
| Connector 1 Body Material | Brass |
| Connector 1 Body Plating  | Gold  |
| Connector 2 Body Material | Brass |
| Connector 2 Body Plating  | Gold  |
| Mating Cycles, Min        | ≥500  |
| Weight                    | 1.8 g |

### Electrical Specifications

|                |                     |
|----------------|---------------------|
| Frequency      | DC-18GHz            |
| VSWR           | 1.25                |
| Insertion Loss | ≤0.1 x Sqrt.(f_GHz) |

### Environmental Specifications

|                             |                   |
|-----------------------------|-------------------|
| RoHS Compliant              | Yes               |
| Operating Temperature Range | -55 °C to +165 °C |
| MIL/STD                     | N/A               |