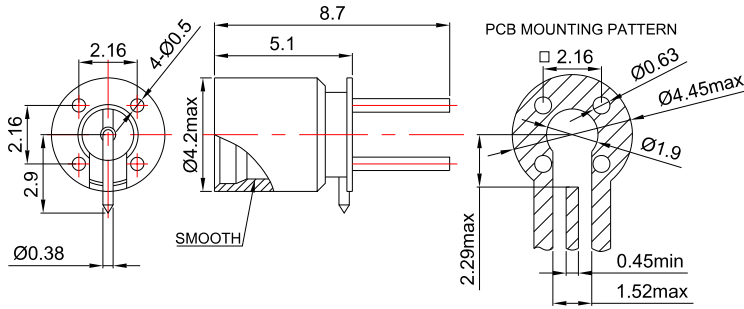


## GPO (SMP) Male Smooth Bore Connector for PCB | DC-26.5GHz

P/N: FR2-GPO-JHD87-S



### Product Configuration

Body Style	Straight
Connector Series	GPO(SMP)
Connector Polarity	Standard
Connector Gender	Male
Termination Type	PCB
Connector Impedance (Ohm)	50
Mount Method	None

### Electrical Specifications

Frequency	DC - 18GHz
VSWR / Return Loss	1.25
Insertion Loss	$\leq 0.05 \times \text{Sqrt}(f\_GHz)$

### Mechanical Data

Min. Mating Cycles	$\geq 500$
Body Material	Brass
Body Plating	Gold

### Environmental Specifications

RoHS Compliant	Yes
Operating Temperature Range	-65°C to +165°C