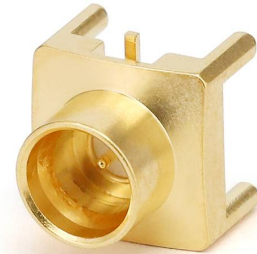
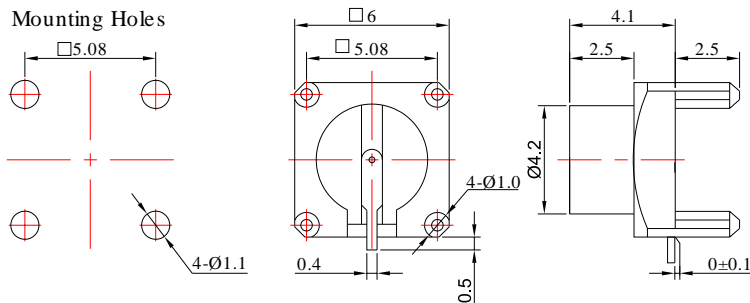


GPO (SMP) Male Limited Detent Connector for PCB, DC - 26.5GHz

P/N: FR2-GPO-JHD23-L



Dimensions are in mm

Product Configuration

Body Style	Straight
Connector Series	GPO(SMP)
Connector Polarity	Standard
Connector Gender	Male
Termination Type	PCB
Connector Impedance (Ohm)	50
Mount Method	None

Electrical Specifications

Frequency	DC-26.5GHz
VSWR	1.43
Insertion Loss	≤0.05 xSqt.(f_GHz)

Mechanical Data

Mating Cycles, Min	≥500
Weight	0.47 g
Body Material	Brass
Body Plating	Gold

Environmental Specifications

RoHS Compliant	Yes
Operating Temperature Range	-55 °C to +165 °C
MIL/STD	N/A