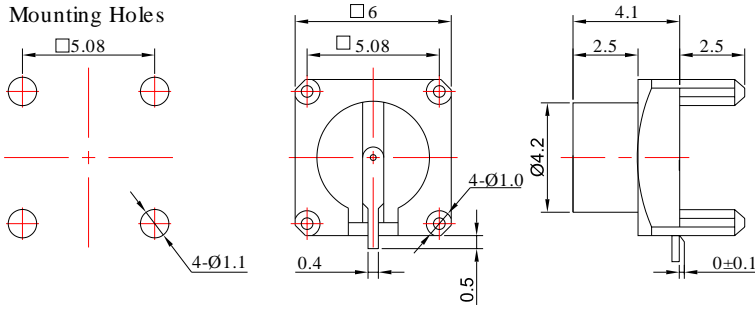
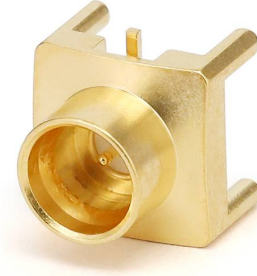


GPO (SMP) Male Limited Detent Connector for PCB | DC - 26.5GHz

GPO-JHD23-L



Dimensions are in mm



Product Configuration

Connector Series	GPO(SMP)
Connector Polarity	Standard
Connector Gender	Male
Body Style	Straight
Termination Type	PCB
Connector Impedance (Ohm)	50
Mount Method	None

Mechanical Data

Min. Mating Cycles	≥500
Weight (g)	0.47 g
Body Material	Brass
Body Plating	Gold

Electrical Specifications

Frequency	DC - 26.5GHz
VSWR / Return Loss	1.43
Insertion Loss	≤ 0.05 x Sqrt.(f_GHz)

Environmental Specifications

RoHS Compliant	Yes
Operating Temperature Range	-55 °C to +165 °C