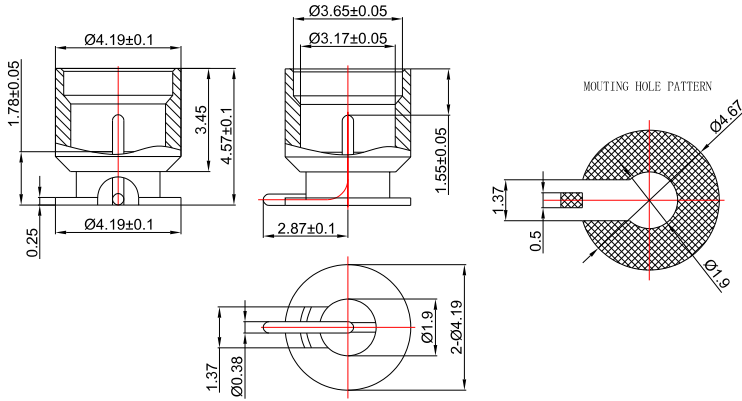


GPO (SMP) Male RF Connector | SMT PCB Mount | Smooth Bore | DC to 26.5 GHz

P/N: FR2-GPO-JHD103-S



Dimensions are in mm



## Product Configuration

|                           |          |
|---------------------------|----------|
| Body Style                | Straight |
| Connector Series          | GPO(SMP) |
| Connector Polarity        | Standard |
| Connector Gender          | Male     |
| Termination Type          | PCB      |
| Connector Impedance (Ohm) | 50       |
| Mount Method              | None     |

## Electrical Specifications

|                    |   |
|--------------------|---|
| Frequency          | DC - 26.5GHz                            |
| VSWR / Return Loss | 15dB                                    |
| Insertion Loss     | $\leq 0.05 \times \text{Sqrt.}(f\_GHz)$ |

## Mechanical Data

|                    |            |
|--------------------|------------|
| Min. Mating Cycles | $\geq 500$ |
| Body Material      | Brass      |
| Body Plating       | Gold       |

## Environmental Specifications

|                             |                 |
|-----------------------------|-----------------|
| RoHS Compliant              | Yes             |
| Operating Temperature Range | -65°C to +165°C |