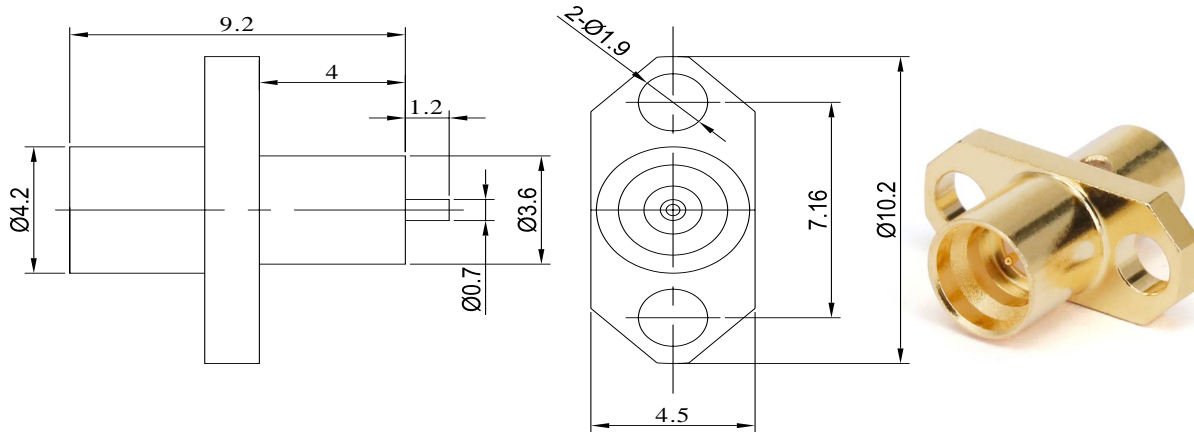


## GPO (SMP) Male Full Detent Connector with 2 Hole Flange, DC - 26.5GHz

P/N: FR2-GPO-JFD246-F



Dimensions are in mm

### Product Configuration

Body Style	Straight
Connector Series	GPO(SMP)
Connector Polarity	Standard
Connector Gender	Male
Termination Type	PCB
Connector Impedance (Ohm)	50
Mount Method	2 Hole Flange

### Electrical Specifications

Frequency	DC-26.5GHz
VSWR	1.43
Insertion Loss	$\leq 0.05 \times \text{Sqrt.}(f\_GHz)$

### Mechanical Data

Mating Cycles, Min	$\geq 500$
Weight	0.8 g
Body Material	Brass
Body Plating	Gold

### Environmental Specifications

RoHS Compliant	Yes
Operating Temperature Range	-55 °C to +165 °C
MIL/STD	N/A