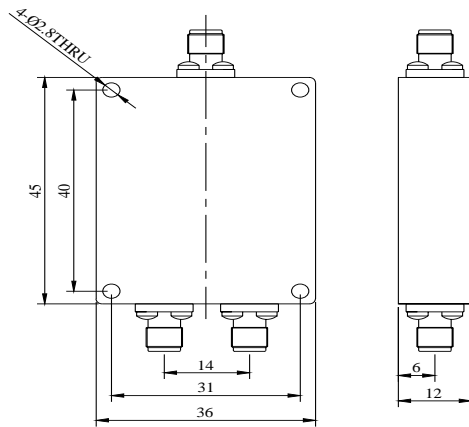


2-Way SMA Power Divider From 0.5 GHz to 6 GHz Rated at 30 Watts

P/N: GPD-2-005060-E



Dimensions are in mm



Product Configuration

Connector-In Series	SMA
Connector-In Polarity	Standard
Connector-In Gender	Female
Connector-In Impedance (Ohm)	50
Connector-Out Series	SMA
Connector-Out Polarity	Standard
Connector-Out Gender	Female
Connector-Out Impedance (Ohm)	50

Electrical Specifications

Insertion Loss	≤1
Power, Max Input (Watts)	30
VSWR, Max Input	1.4
Frequency Range	0.5-6GHz
VSWR, Max Output	1.2
Amplitude Balance (dB)	±0.2
Phase Balance (°)	±2
Isolation Min.(dB)	18

Mechanical Data

Mating Cycles, Min	≥500
Weight (g)	49.45 g
Colour	White
Housing Material	Aluminum

2-Way SMA Power Divider From 0.5 GHz to 6 GHz Rated at 30 Watts

P/N: GPD-2-005060-E

Environmental Specifications

RoHS Compliant

Yes

Operating Temperature Range

-35 °C to +75 °C