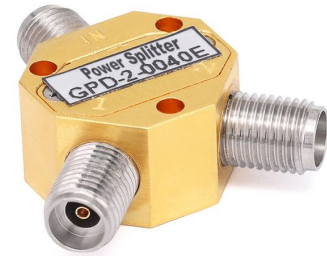
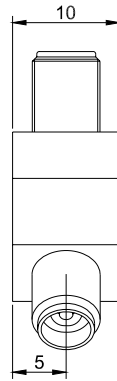
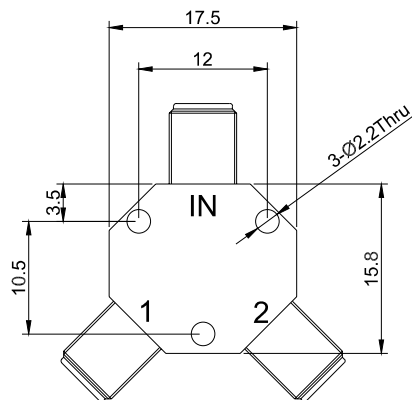


## 2-Way 2.92mm Power Splitter From DC to 40 GHz Rated at 1 Watts

P/N: GPD-2-0040E



### Product Configuration

Connector-In Series	2.92mm
Connector-In Polarity	Standard
Connector-In Gender	Female
Connector-In Impedance (Ohm)	50
Connector-Out Series	2.92mm
Connector-Out Polarity	Standard
Connector-Out Gender	Female
Connector-Out Impedance (Ohm)	50

### Electrical Specifications

Insertion Loss	≤1.5
Power, Max Input (Watts)	1
VSWR, Max Input	1.5
Frequency Range	DC-40GHz
VSWR, Max Output	2.5
Amplitude Balance (dB)	±0.7
Phase Balance (°)	±7
Isolation Min.(dB)	10

### Mechanical Data

Min. Mating Cycles	≥500
Weight (g)	25 g
Colour	Blue
Housing Material	Aluminum

## 2-Way 2.92mm Power Splitter From DC to 40 GHz Rated at 1 Watts

P/N: GPD-2-0040E

### Environmental Specifications

RoHS Compliant	Yes
Operating Temperature Range	-45 °C to +85 °C
Storage Temperature Range	-55 °C to +125 °C

### Test Data

