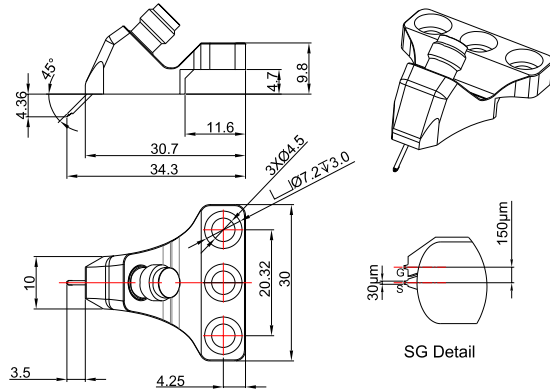


## 50GHz SG RF Probe, 150µm Pitch, 2.4mm Female RF Connector, Ultra-Wideband High Frequency Test Probe

P/N: FR8-GPB50-SG-150



Dimensions are in mm



### Product Configuration

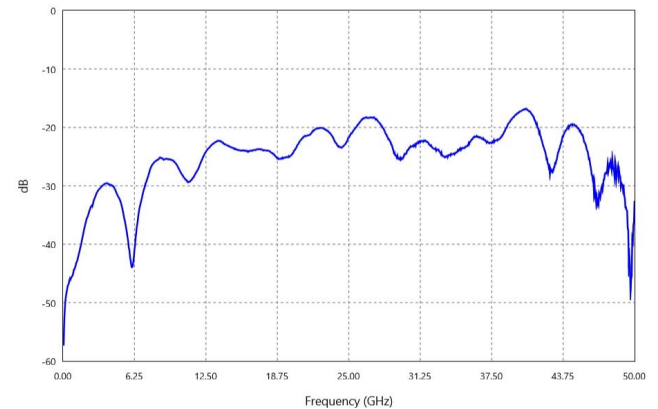
Connector 1 Series	2.4mm
Connector 1 Polarity	Standard
Connector 1 Gender	Female
Connector 1 Impedance (Ohm)	50
Probe Configuration	SG
Pitch	150 µm
Tip Material	Nickel Alloy
Tip Width	30µm
Overtravel	20 – 60 µm
...	...

### Electrical Specifications

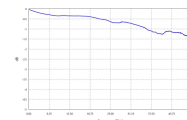
Frequency	DC - 50GHz
VSWR / Return Loss	12dB
Insertion Loss	1.7dB

### Test Report

S11: Minimum return loss for this probe is -14.98dB



S21: Maximum insertion loss for this probe is -1.44dB



### Environmental Specifications

RoHS Compliant	Yes
Operating Temperature Range	-40 °C to +175 °C