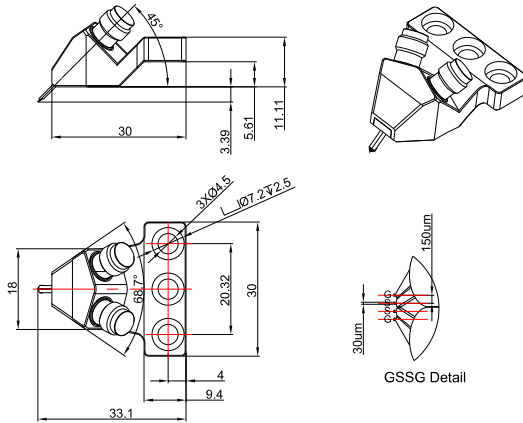


## 50GHz GSSG RF Probe, 150µm Pitch, 2.4mm Female RF Connector, Ultra-Wideband High Frequency Test Probe

P/N: FR8-GPB50-GSSG-150



Dimensions are in mm



### Product Configuration

Connector 1 Series	2.4mm
Connector 2 Series	2.4mm
Connector 1 Polarity	Standard
Connector 2 Polarity	Standard
Connector 1 Gender	Female
Connector 2 Gender	Female
Connector 1 Impedance (Ohm)	50
Connector 2 Impedance (Ohm)	50
Probe Configuration	GSSG
Pitch	150

### Test Report

Sdd11: Minimum return loss for this probe is -16.36dB  
 Sdd21: Maximum insertion loss for this probe is -0.69dB

### Electrical Specifications

Frequency	DC - 50GHz
VSWR / Return Loss	14dB
Insertion Loss	0.9dB

### Environmental Specifications

RoHS Compliant	Yes
Operating Temperature Range	-40 °C to +175 °C