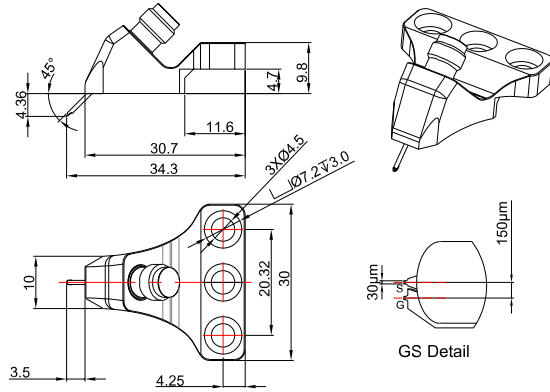


## 50GHz GS RF Probe, 150µm Pitch, 2.4mm Female RF Connector, Ultra-Wideband High Frequency Test Probe

P/N: FR8-GPB50-GS-150



Dimensions are in mm



### Product Configuration

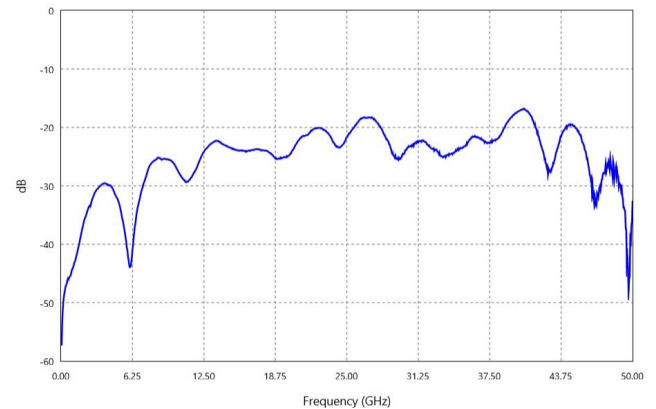
|                             |              |
|-----------------------------|--------------|
| Connector 1 Series          | 2.4mm        |
| Connector 1 Polarity        | Standard     |
| Connector 1 Gender          | Female       |
| Connector 1 Impedance (Ohm) | 50           |
| Probe Configuration         | GS           |
| Pitch                       | 150 µm       |
| Tip Material                | Nickel Alloy |
| Tip Width                   | 30µm         |
| Overtravel                  | 20 – 60 µm   |
| ...                         | ...          |

### Electrical Specifications

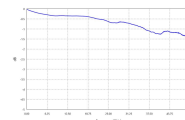
|                    |            |
|--------------------|------------|
| Frequency          | DC - 50GHz |
| VSWR / Return Loss | 12dB       |
| Insertion Loss     | 1.7dB      |

### Test Report

S11: Minimum return loss for this probe is -14.98dB



S21: Maximum insertion loss for this probe is -1.44 dB



### Environmental Specifications

|                             |                   |
|-----------------------------|-------------------|
| RoHS Compliant              | Yes               |
| Operating Temperature Range | -40 °C to +175 °C |