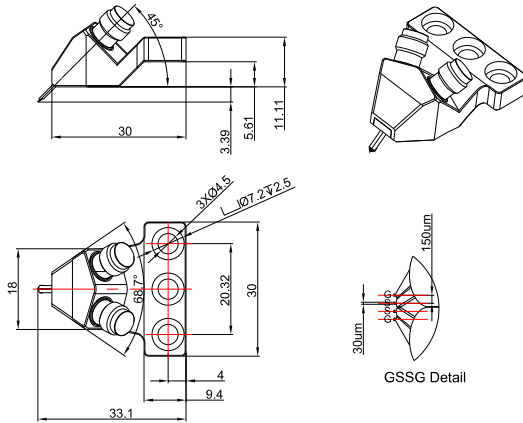


## 40GHz GSSG RF Probe, 150µm Pitch, 2.92mm Female RF Connector, Ultra-Wideband High Frequency Test Probe

P/N: FR8-GPB40-GSSG-150



Dimensions are in mm



### Product Configuration

|                             |          |
|-----------------------------|----------|
| Connector 1 Series          | 2.92mm   |
| Connector 2 Series          | 2.92mm   |
| Connector 1 Polarity        | Standard |
| Connector 2 Polarity        | Standard |
| Connector 1 Gender          | Female   |
| Connector 2 Gender          | Female   |
| Connector 1 Impedance (Ohm) | 50       |
| Connector 2 Impedance (Ohm) | 50       |
| Probe Configuration         | GSSG     |
| Pitch                       | 150      |

### Test Report

Sdd11: Minimum return loss for this probe is -21.26dB  
 Sdd21: Maximum insertion loss for this probe is -0.56dB

### Electrical Specifications

|                    |            |
|--------------------|------------|
| Frequency          | DC - 40GHz |
| VSWR / Return Loss | 14dB       |
| Insertion Loss     | 0.8dB      |

### Environmental Specifications

|                             |                   |
|-----------------------------|-------------------|
| RoHS Compliant              | Yes               |
| Operating Temperature Range | -40 °C to +175 °C |