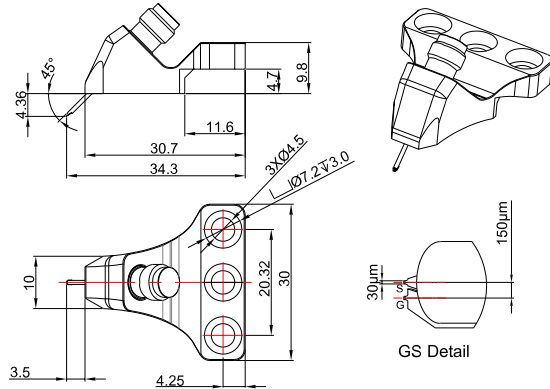


40GHz GS RF Probe, 150µm Pitch, 2.92mm Female RF Connector, Ultra-Wideband High Frequency Test Probe

P/N: FR8-GPB40-GS-150



Dimensions are in mm



Product Configuration

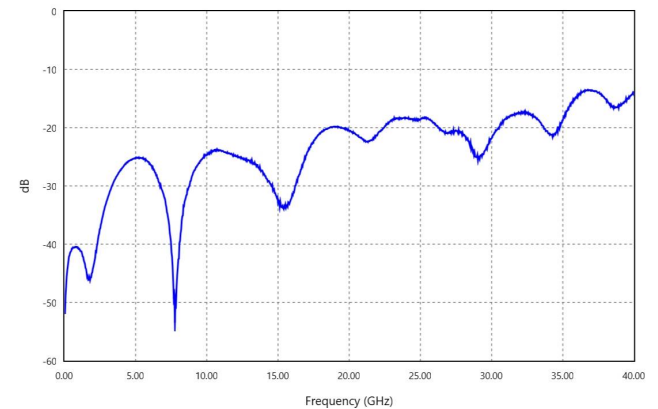
Connector 1 Series	2.92mm
Connector 1 Polarity	Standard
Connector 1 Gender	Female
Connector 1 Impedance (Ohm)	50
Probe Configuration	GS
Pitch	150 µm
Tip Material	Nickel Alloy
Tip Width	30µm
Overtravel	20 – 60 µm

Electrical Specifications

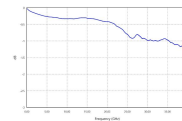
Frequency	DC - 40GHz
VSWR / Return Loss	12dB
Insertion Loss	1.6dB

Test Report

S11: Minimum return loss for this probe is -13.48dB



S21: Maximum insertion loss for this probe is -1.44 dB



Environmental Specifications

RoHS Compliant	Yes
Operating Temperature Range	-40 °C to +175 °C