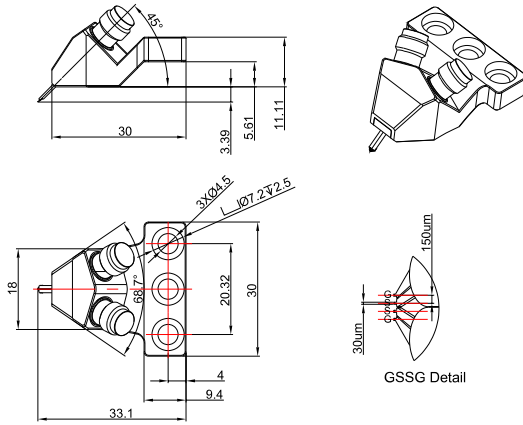


26.5GHz GSSG RF Probe, 150µm Pitch, SMA Female RF Connector, Ultra-Wideband High Frequency Test Probe

P/N: FR8-GPB26-GSSG-150



Dimensions are in mm



Product Configuration

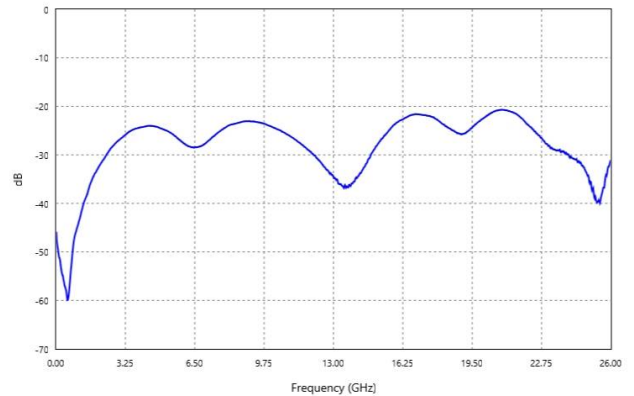
| | |
|-----------------------------|----------|
| Connector 1 Series | SMA |
| Connector 2 Series | SMA |
| Connector 1 Polarity | Standard |
| Connector 2 Polarity | Standard |
| Connector 1 Gender | Female |
| Connector 2 Gender | Female |
| Connector 1 Impedance (Ohm) | 50 |
| Connector 2 Impedance (Ohm) | 50 |
| Probe Configuration | GSSG |
| Pitch | 150 |

Electrical Specifications

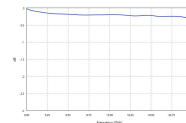
| | |
|--------------------|------------|
| Frequency | DC - 26GHz |
| VSWR / Return Loss | 16dB |
| Insertion Loss | 0.7dB |

Test Report

Sdd11: Minimum return loss for this probe is -20.7dB



Sdd21: Maximum insertion loss for this probe is -0.30dB



Environmental Specifications

| | |
|-----------------------------|-------------------|
| RoHS Compliant | Yes |
| Operating Temperature Range | -40 °C to +175 °C |